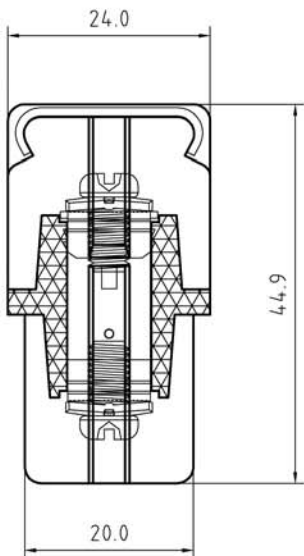
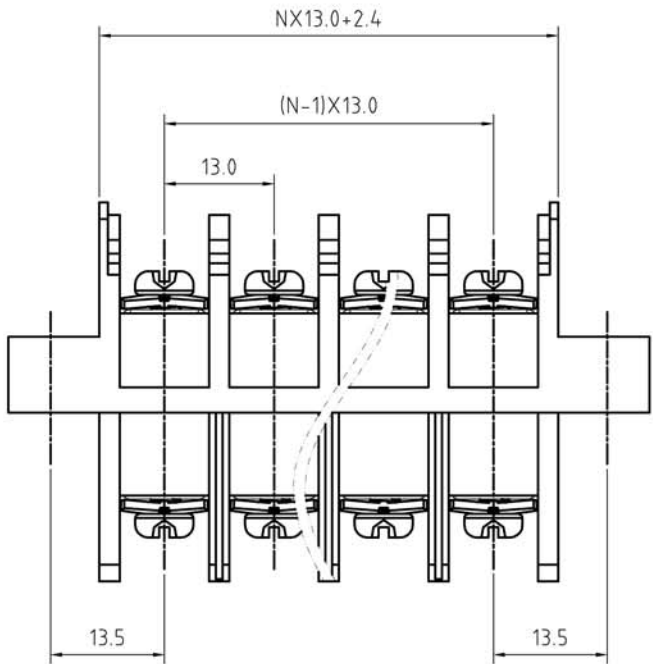


N=Number of contacts



SIGN	DESCRIPTION	DATE	APPROVER

Technical Data:

Material:

Terminals: Copper Alloy, TiN Plated
 Terminal screw: Steel galvanized with Cr3+ plated
 Insulator body(housing): Polyamide (Glass filled)(UL94V-0)

Electrical

Voltage rating: 600VAC
 Current rating: 50 Amps/way max
 Contact resistance: 20m Ω (max)
 Withstanding Voltage: 2500VAC(1min) Test time=60sec/1pcs
 Wire range: 8-22AWG

Mechanical:

Torque: 18kgf.cm/M5
 Operating temperature: -40°C to +105°C
 Soldering reliability:
 Test temperature= 250°C±10°C
 5 seconds max

Ordering Information:

U650 -0 -Q XX - X X X 0

- A Black Pa66
- B Black Pbt
- 1 With flange
- 2 Without flange
- 1 "-"Screw Cr³⁺
- 2 "-/+ "Screw Cr³⁺
- 3 "-"Screw Ni Plated
- 4 "-/+ "Screw Ni Plated

02 2Pin
 To To
 32 32Pin

WELINK 上海拓尔普电子科技有限公司
 Welink International Co., LTD.

TOLERANCE X. ±0.50 X.X ±0.30 X.XX ±0.20 X° ±1°	APPROVED:	NAME: U650-0 Pitch 13.0mm With flange series 1进1出
	CHECKED:	
	DRAWN: YangMing 2014,05,22	
	UNITS: mm REV: A	PART NO: U6500QXX21X0
	SCALE: 1 / 1.5 PAGE: 1 / 1	DWG NO: 9U6500Q11A